

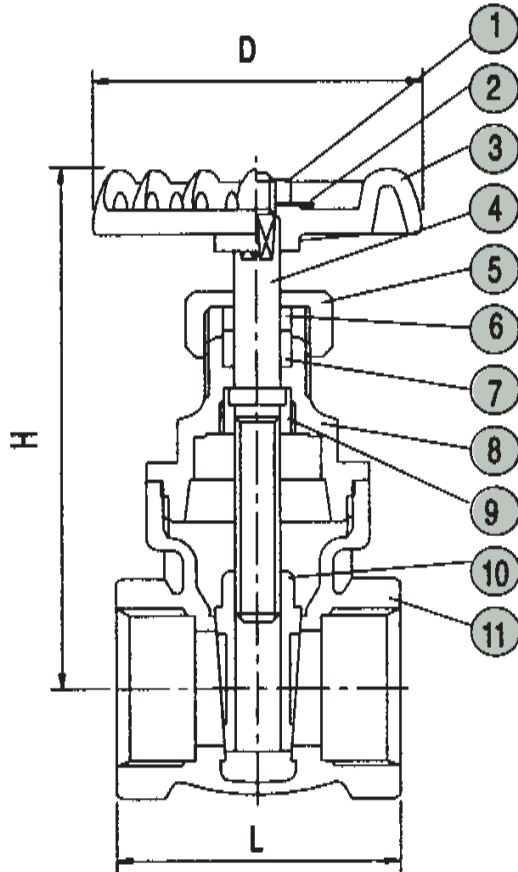
# SUBMITTAL DATA SHEET

## Low Pressure Valves Full Port Gate Valve - 2035T

FNPT X FNPT



A.Y. McDonald Mfg. Co. Low Pressure Valves are constructed from heavy duty brass and are recommended for residential and commercial applications and positive shut-off with various inlet configurations.



### Dimensions

Size	L	H	D
1/4"	1.60	2.73	2.11
3/8"	1.60	2.73	2.11
1/2"	1.68	2.81	2.11
3/4"	1.83	3.28	2.11
1"	2.11	3.82	2.38
1 1/4"	2.38	4.52	3.00
1 1/2"	2.42	4.88	3.00
2"	2.81	5.97	3.24
2 1/2"	3.47	7.25	4.10
3"	3.94	8.66	5.07
4"	4.52	9.71	6.71

### Materials

No.	Part	Material
1	Wheel Nut	Steel
2	Name Plate	Aluminum
3	Hand Wheel	Cast Iron
4	Stem	Brass
5	Packing Nut 1/2 - 1 1/4 1 1/2 - 4	Brass Cast Brass
6	Gland	Brass
7	Gland Packing	Graphite
8	Bonnet	Cast Brass
9	Lock Nut	Brass
10	Disc	Cast Brass
11	Body	Cast Brass

### SUBMITTAL INFORMATION

- 200 WOG
- Sizes: 1/4", 3/8", 1/2", 3/4", 1", 1 1/4", 1 1/2", 2", 2 1/2", 3", & 4"
- Threads conform to ANSI B1.20.1
- Solder ends conform to ANSI B16.18
- Non-rising stem



Non-Potable  
Use Only

**NO-LEAD:** The weighted average of the wetted surface of this no-lead product contacted by consumable water contains less than one quarter of one percent (0.25%) lead.



A.Y. McDonald Mfg. Co.  
P.O. Box 508  
Dubuque, IA 52004-0508

Toll Free: 1-800-292-2737  
Fax: 1-800-832-9296  
Hours: 7:00 a.m. - 5:00 p.m., CST

sales@aymcdonald.com  
www.aymcdonald.com

A.Y. McDonald considers the information on this assembly drawing correct when published. Item and option availability, including specifications, are subject to change without notice.

Submitted by: